

Bubbler Simplicity 4x9 lt, Mini Quad, R290



**Ref: CC0HPP
(CS4E22290NEMALEG2)**

Cold beverage dispenser - Simplicity Bubbler Mini-Quad, 4x9 liters bowls, CS-4E-22, BPA-Free Locking Lid - Refrigerant R290

General Features

Premix dispenser with stainless steel base. Model with BPA-Free bowl. Dispenses four flavors with 4x9 liters bowls. Agitation model for fresh juices, coffees or teas with minimal foaming system. Unique to Simplicity, the air intakes from the bottom and exhausts to back. This efficient cooling uses less energy and saves money. Heavy product Dispense Valve standard on Simplicity Bubblers, perfect for lemonades and horchatas. Interchangeable bowls: two 9 liters bowls can be replaced with a 18 liters bowls, and vice versa. New easy-off bowl release system means no more reaching into the bowl. Makes cleaning easier and reduces labor. Locking lid provides enhanced safety for operators. 22.9 cm cup clearance for a variety of drinks. Dispenses product to the very last drop. Fewer removable parts to simplify cleaning and reduce maintenance. Temperature ranges from 1.7 -5° C. R290 refrigerant.

CS4E22290NEMALEG2

CRATHCO

Bubbler Simplicity 4x9 It, Mini Quad, R290



Bubbler Simplicity 4x9 lt, Mini Quad, R290

Electric

Supply voltage:	220-240 V / 1N ph / 50/60 Hz
Electrical power max.:	1 kW
Current consumption:	2.5 Amps
Plug type:	NEMA 5-15

Key Information:

Number of bowls:	4
Bowl's capacity:	9 lt
Control board:	Mechanical
Dimensions, Width:	520 mm
Dimensions, Depth:	470 mm
Dimensions, Height:	700 mm
Net weight:	41.76 kg

Refrigeration Data

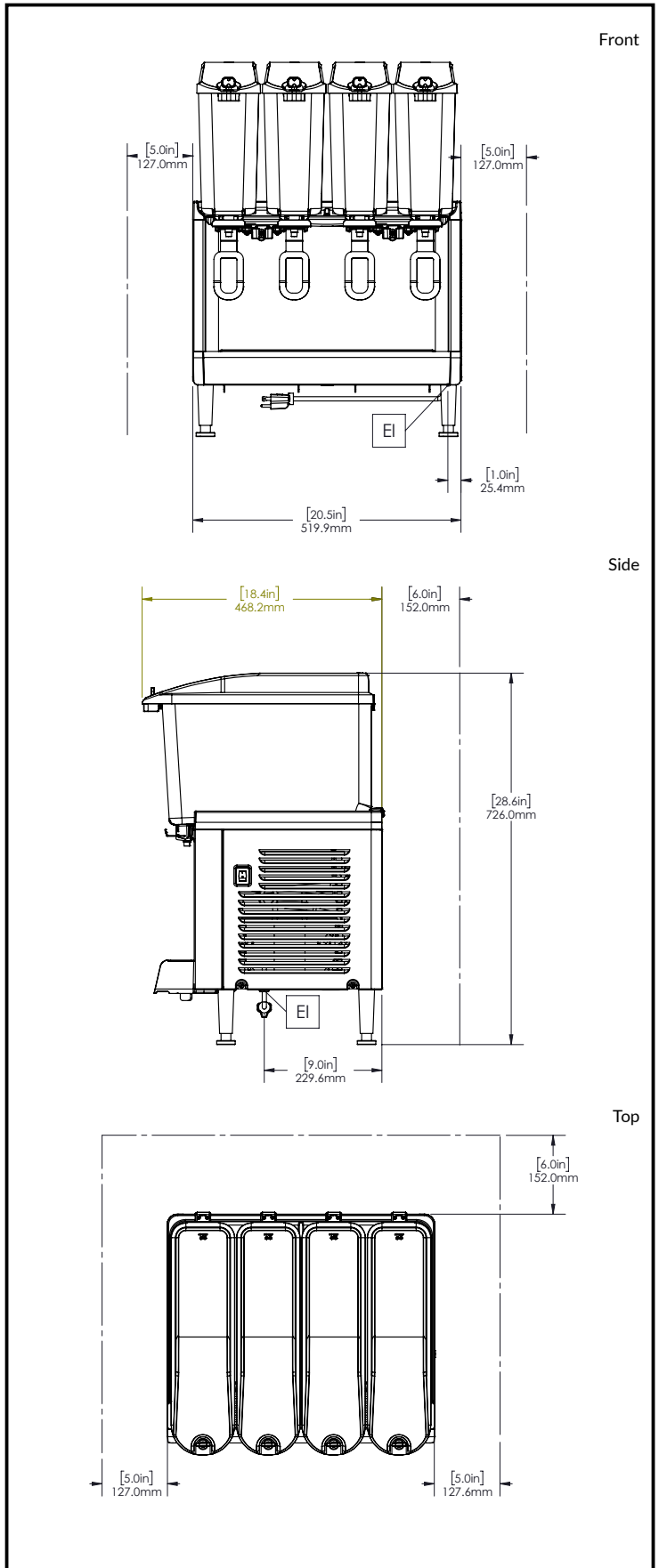
Refrigerant gas:	R290
------------------	------

Certifications



The company reserves the right to make modifications to the products without prior notice. All information correct at time of printing.

2026.03.31



CRATHCO

www.crathco.drink-systems.com
infocrathco@electroluxprofessional.com